



## WR80-EP Explosion Proof Room Thermostat

- Heavy Duty  
25 Amps, 120 Vac  
22 Amps, 240 Vac  
18 Amps, 277 Vac
- Positive Snap-Action Switch
- 3 Degree Control Differential
- Temperature Range 40 - 90°F



### Description

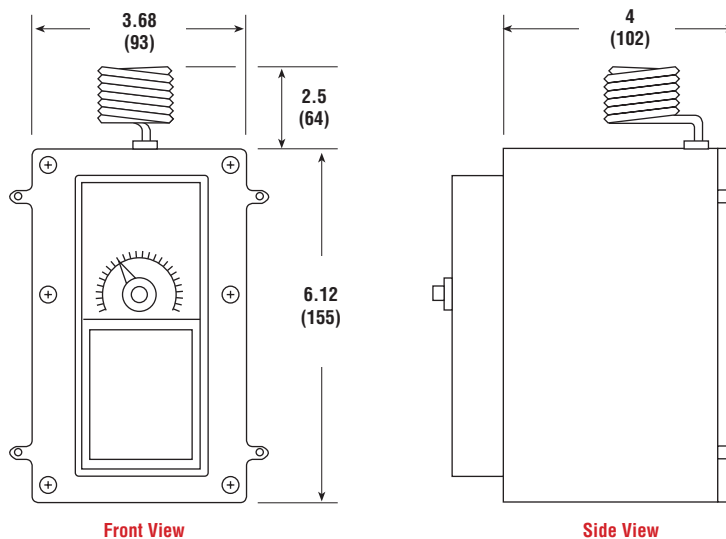
The WR80-EP Room Thermostat is designed to control individual heaters directly or by using an external contactor can control several heaters. It is suitable for Class I, Division I, Group D and Class II, Division I, Groups E, F and G locations.

The WR80-EP provides accuracy, long and reliable service, with a 3 degree differential.

The control is a heavy duty, single stage, SPST line voltage snap-action switch. It features an external, coiled sensing element and adjustable setpoint knob.

**WARNING: Hazard of Fire.** The WR80-EP thermostat is designed for temperature control service only. Because it is not fail-safe, it should not be used for temperature limiting duty.

### Dimensions



All Dimensions in Inches (mm)

### Specifications and Ordering Information

Model	Temp. Range (°F)	Voltage/Current			Stock	PCN	Wt. (Lbs.)
		120V	240V	277V			
WR80-EP	40-90	25A	22A	18A	S	266124	1

**Stock Status:** S = stock NS = non-stock  
**Note** — 1. Pilot Duty rating, 125 VA for 120 - 277 Vac.